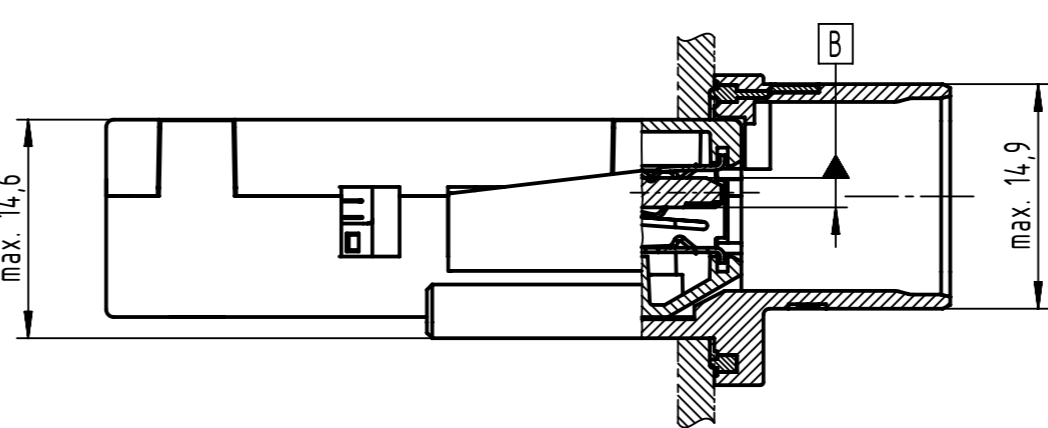
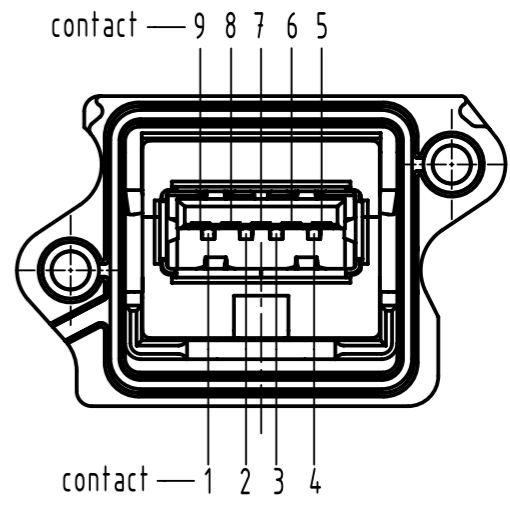


A-A

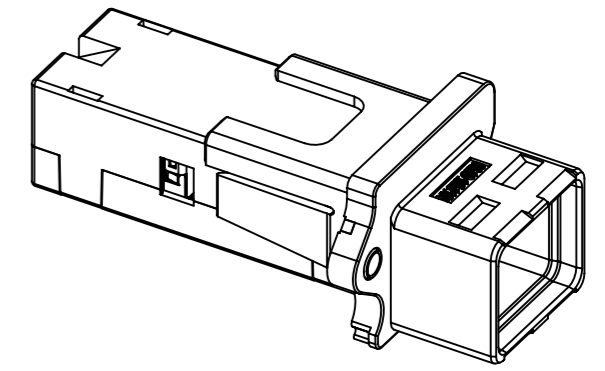
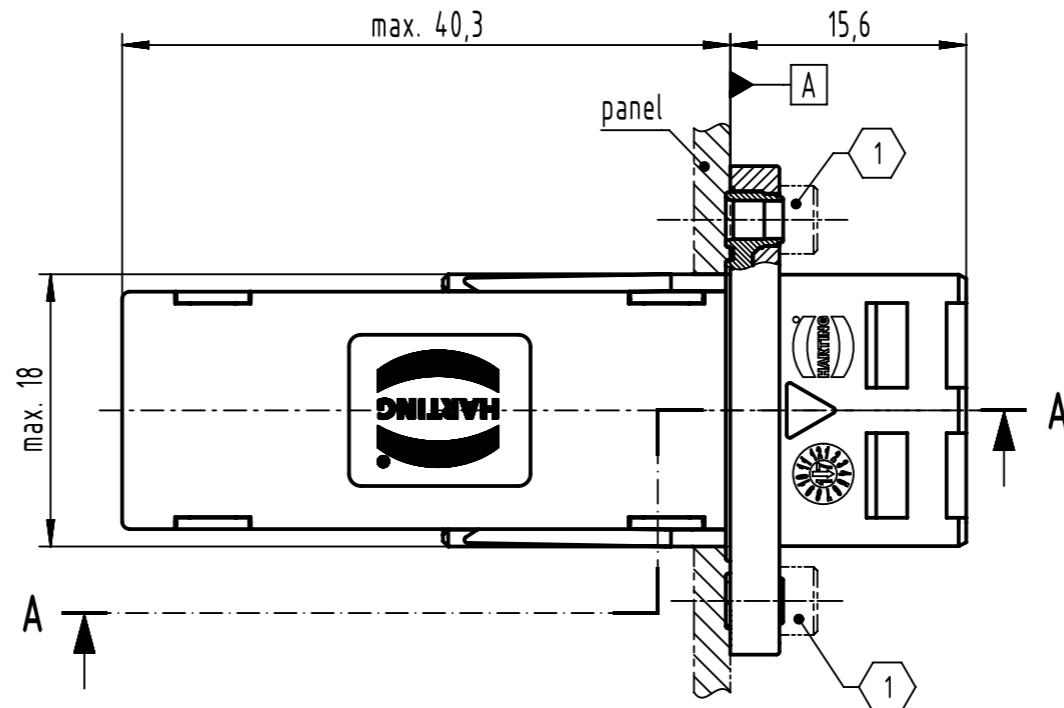
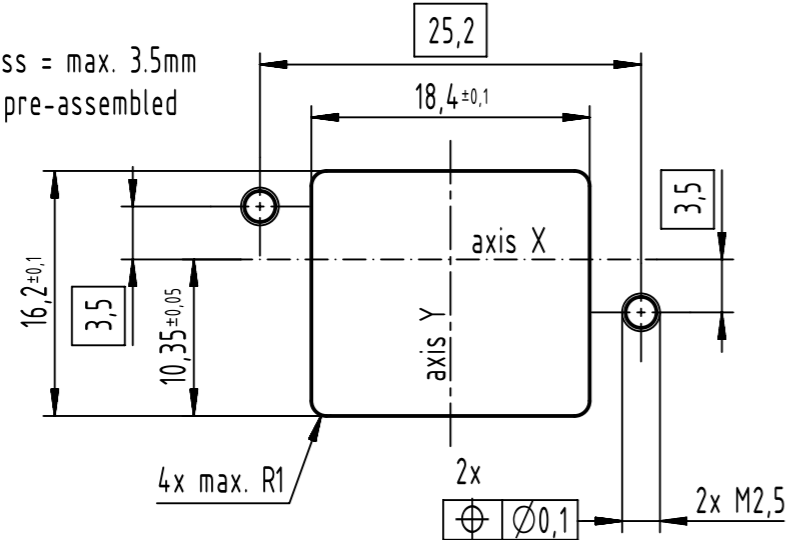


USB 3.0 type A

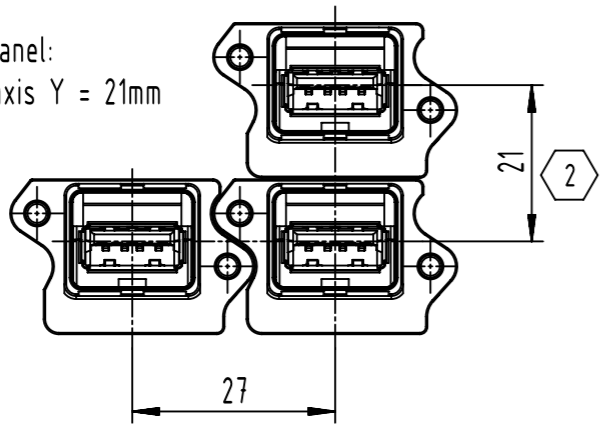


panel cutting

panel thickness = max. 3.5mm  
no limit with pre-assembled  
USB Adapter



connector pitch on panel:  
axis X = 27mm and axis Y = 21mm



loading-plan

V Bus	1	1
D-	2	2
D+	3	3
GND	4	4
StdA_SSRX-	5	5
StdA_SSRX+	6	6
GND_DRAIN	7	7
StdA_SSTX-	8	8
StdA_SSTX+	9	9
Shield	Shell	Shell

2 connector pitch with coding clip 0945840002X Y = 23mm

1 2x M2.5; screws acc. to ISO 4762;  
please order separately; bolting torque 0.3Nm - 0.5Nm

references A, B and C acc. to USB specification 3.0 , www.usb.org

further information see product data sheet

	All Dimensions in mm Original Size DIN A3		Scale 2:1	Free size tol.		Ref.	
	All rights reserved Department EL PD		Created by STORCK	Inspected by TADJE	Standardisation 302077	Date 2021-04-29	State Final Release
HARTING D-32339 Espelkamp		Title HARTING PushPull V4 Compact Housing with USB 3.0 type A				Doc-Key / ECM-Nr. 100671794/UGD/001/G 500000194222	
		Type TB	Number 09452451930		Rev. G	Page 1/1	